

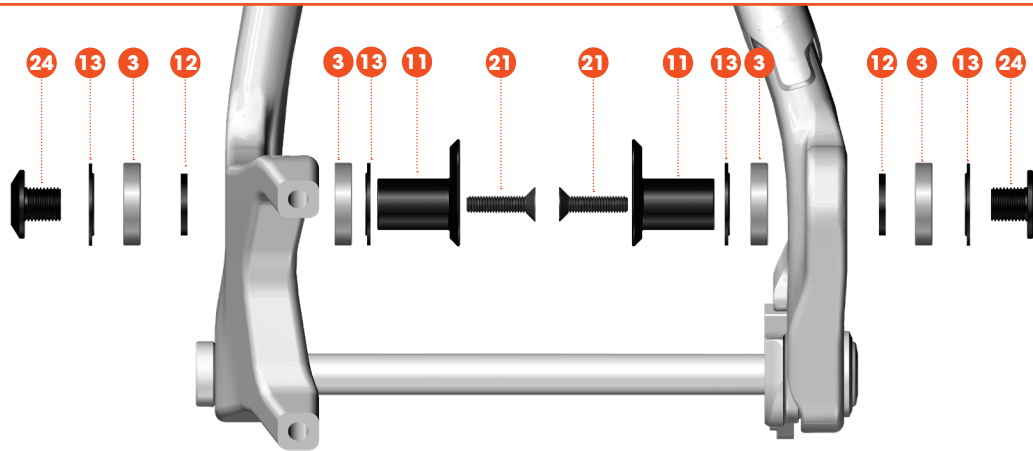
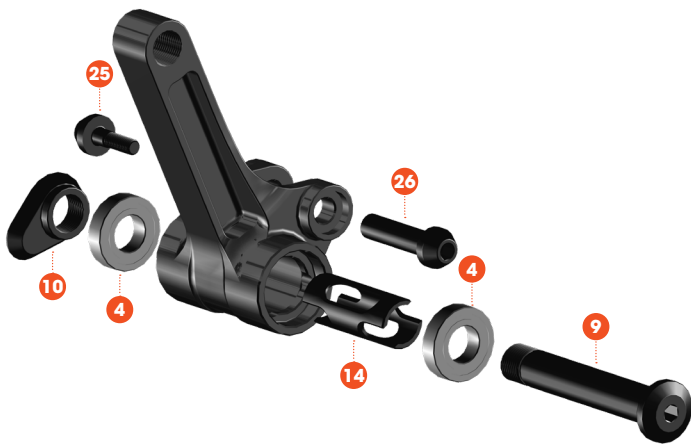
DESCRIPTION	PART NUMBER	QTY	ASSEMBLY
1 HANGER Rear UDH	CMPHUDH01	1	
2 WASHER 5.2ID 12.5OD 1.5L	CMPPHW00267	1	
3 BEARING 6802 LLU Max	CMPWFB6802LLUMAX	4	
4 BEARING 6901 LLU Max	CMPWFB6901LLUMAX	4	
5 BEARING 6902 LLU Max	CMPWFB6902LLUMAX	2	
6 CABLE ROUTING CLAMP 1 cable	CMPWCG13H	1	
7 PIVOT HARDWARE Bolt M12x20.5L thru hole	CMPBTHH24PH01	1	12Nm
8 PIVOT HARDWARE Bolt M12x20.5LxM5 internal	CMPBTHH24PH02	1	12Nm
9 PIVOT HARDWARE Axle M12x79L	CMPBTHH24PH04	1	12Nm
10 PIVOT HARDWARE Teardrop Nut M12x8L	CMPBTHH24PH05	1	
11 PIVOT HARDWARE Teardrop Nut M10x24L	CMPBTHH24PH06	2	
12 PIVOT HARDWARE Spacer 180Dx15IDx2.0T	CMPBTHH24PH07	2	
13 PIVOT HARDWARE Spacer 240Dx18IDx1.5T	CMPBTHH24PH08	4	
14 PIVOT HARDWARE Bearing Spacer 160Dx12IDx41L	CMPBTHH24PH09	1	
15 PIVOT HARDWARE Washer 170Dx12IDx3.5T	CMPBTHH24PH10	2	

DESCRIPTION	PART NUMBER	QTY	ASSEMBLY
16 Axle 150Dx76L	CMPBTHH24PH11	1	
17 Bearing Spacer 210Dx15IDx39L	CMPBTHH24PH12	1	
19 AXLE 12-180-P1.0-13	CMPAXR12B	1	9-13.5 Nm
20 SCREW M5x0.8x16L buttonhead	NA	9	3Nm
21 SCREW M5x0.8x16L flathead	CMPBTG2PR03S	2	3Nm
22 SCREW M5x0.8x35L flathead	CMPBTG2PR01	3	3Nm
23 PIVOT HARDWARE Male M10x1.0x20L	CMPBTG2PR18B	1	12Nm
24 PIVOT HARDWARE Male M10x1.0x14.5L	CMPBTG2PR16AX	2	8Nm
25 PIVOT HARDWARE Male M5x0.8x25.5L	CMPBTM255	2	6Nm
26 PIVOT HARDWARE Female M5x0.8x39.5L	CMPBTF395	2	6Nm
27 SEAT CLAMP 34.9 JD-SC119A-5	CMPSCJD119A349	1	5-6Nm
28 FRAME PROTECTION Chainstay	CMPWFP00309	1	
29 FRAME PROTECTION Downtube	CMPWFP00310	1	
30 FRAME PROTECTION Seatstay	CMPWFP00311	1	
31 FRAME PROTECTION Chainstay Plate	CMPWFPXC24CS01	1	

ASSEMBLE WITH GREASE

ASSEMBLE WITH PRE APPLIED THREADLOCK

ADHESIVE BACKED

**DETAIL 1**

**DETAIL 2**

**Frequently Asked Questions**

BB-FRAME INTERFACE	PF92
EYE TO EYE X STROKE	190 x 45mm
REAR SHOCK- LOWER HARDWARE	20 x 8mm
HEADTUBE ID - UPPER	44mm
HEADTUBE ID - LOWER	56mm
HANGER	UDH/T-Type
SEATPOST DIAMETER	31.6mm
SEATCLAMP INSIDE DIAMETER	34.9mm
FORK STEERER	Tapered 1.5" / 28.6-38.1
MAX CHAINRING SIZE - 1X	38t
CHAINLINE - 1X	55mm
MAX SEATPOST INSERTION	SM 225mm / MD 255mm / LG 290mm / XL 330mm
BRAKE ROTOR NATIVE DIAMETER	180mm
ISCG MOUNT	ISCG 05
REAR AXLE	12 x 148 / 12-180-P1.0-13

**Pivot Hardware Kit**
**CMPBK28**

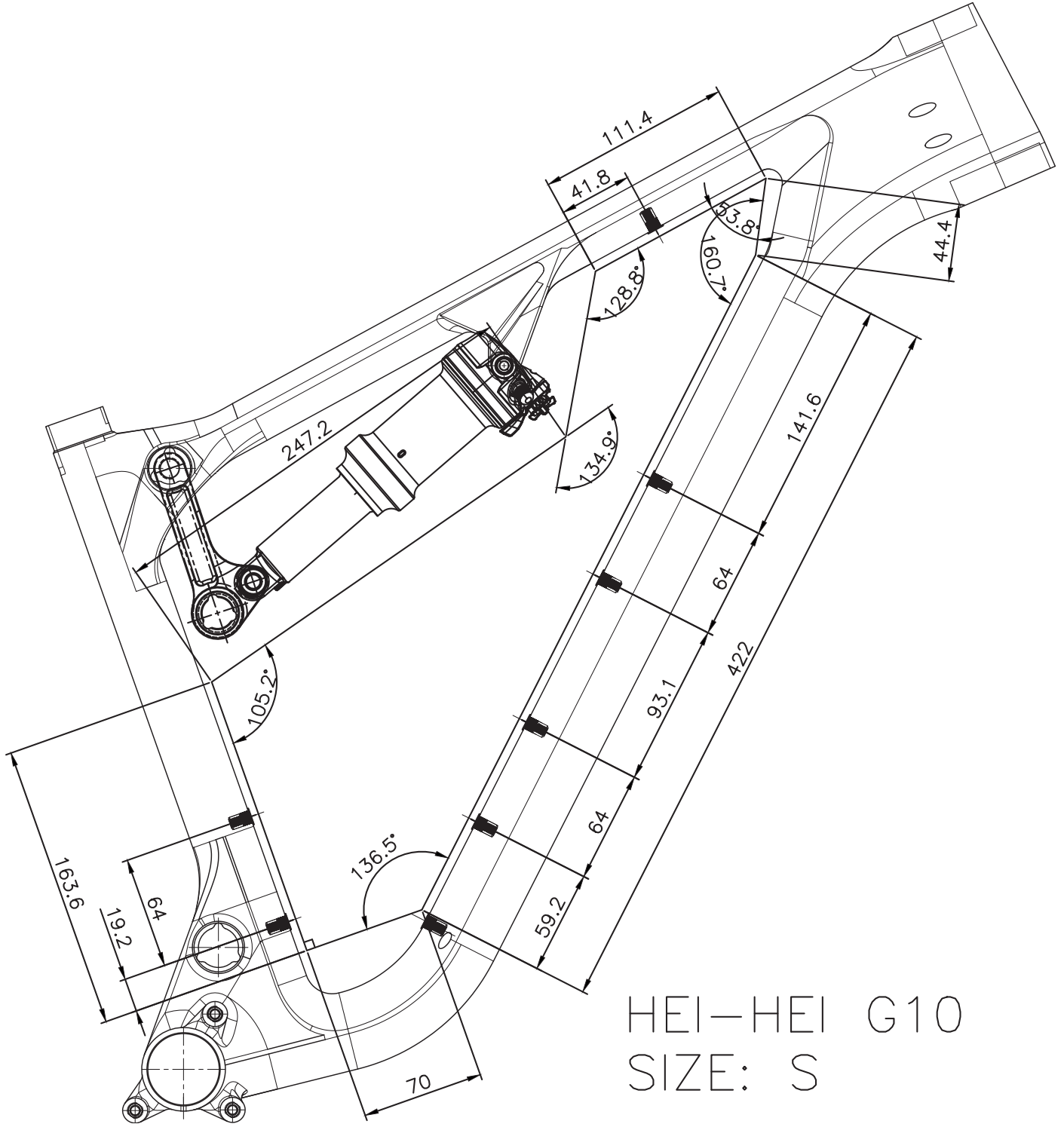
DESCRIPTION	PART NUMBER	QTY	ASSEMBLY
2 WASHER 5.2ID 12.50D 1.5L	CMPPHW00267	1	
6 CABLE ROUTING CLAMP 1 cable	CMPWCG13H	1	
7 Bolt M12x20.5L thru hole	CMPBTHH24PH01	1	12 Nm
8 Bolt M12x20.5LxM5 internal	CMPBTHH24PH02	1	12 Nm
9 Axle M12x79L	CMPBTHH24PH04	1	12 Nm
10 Teardrop Nut M12x8L	CMPBTHH24PH05	1	
11 Teardrop Nut M10x24L	CMPBTHH24PH06	2	
12 Spacer 180Dx15IDx2.0T	CMPBTHH24PH07	2	
13 Spacer 240Dx18IDx1.5T	CMPBTHH24PH08	4	
14 Bearing Spacer 160Dx12IDx41L	CMPBTHH24PH09	1	
15 Washer 170Dx12IDx3.5T	CMPBTHH24PH10	2	
16 Axle 150Dx76L	CMPBTHH24PH11	1	
17 Bearing Spacer 210Dx15IDx39L	CMPBTHH24PH12	1	
21 SCREW M5x0.8x16L flathead	CMPBTG2PR03S	2	3Nm
22 SCREW M5x0.8x35L flathead	CMPBTG2PR01	3	3Nm
23 Male M10x1.0x20L	CMPBTG2PR18B	1	12Nm
24 Male M10x1.0x14.5L	CMPBTG2PR16AX	2	8Nm
25 Male M5x0.8x25.5L	CMPBTM255	2	6Nm
26 Female M5x0.8x39.5L	CMPBTF395	2	6Nm

**Frame Protection**

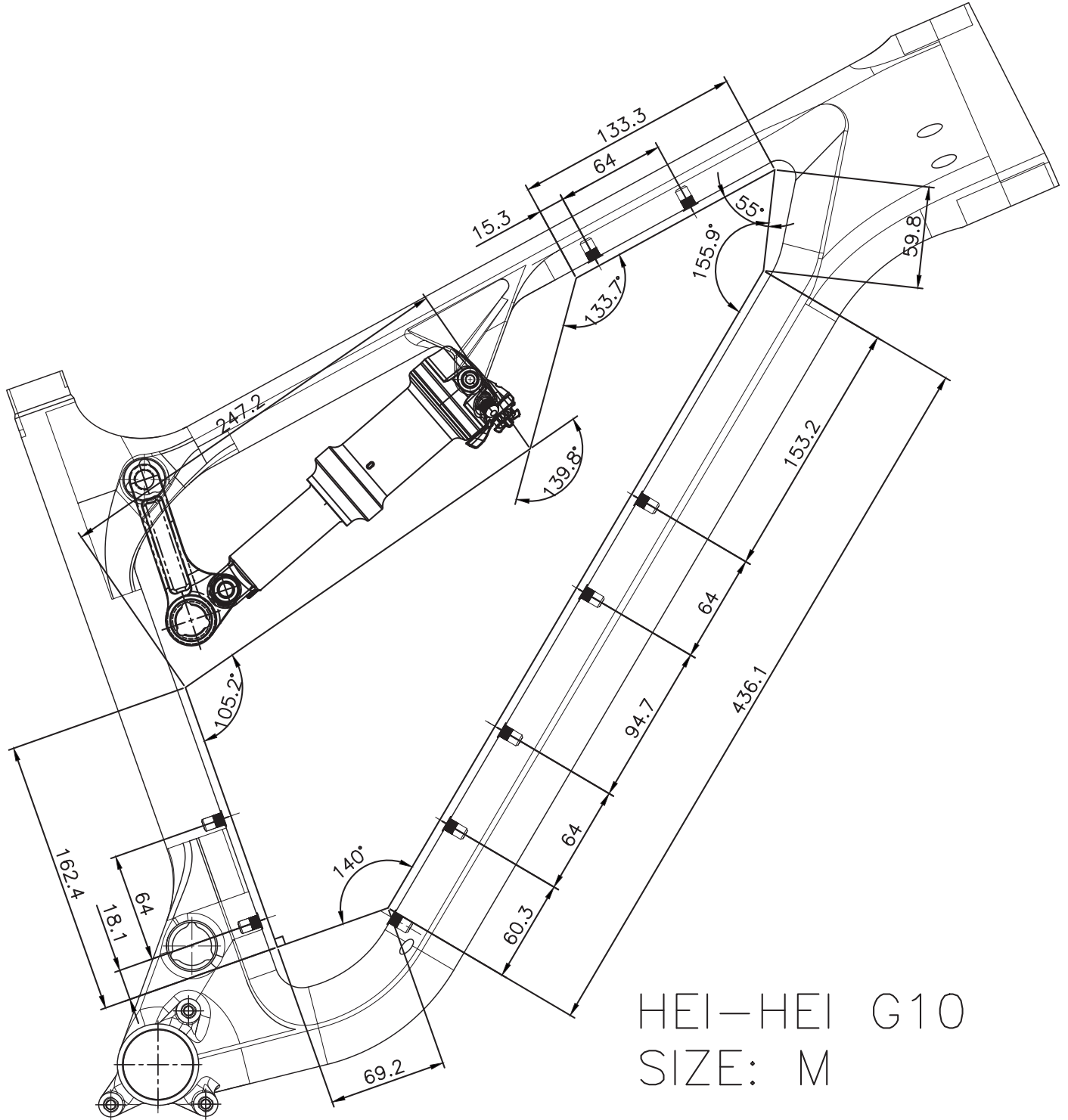
DESCRIPTION	PART NUMBER	QTY	ASSEMBLY
28 FRAME PROTECTION Chainstay	CMPWFP00309	1	
29 FRAME PROTECTION Downtube	CMPWFP00310	1	
30 FRAME PROTECTION Seatstay	CMPWFP00311	1	
31 FRAME PROTECTION Chainstay Plate	CMPWFPXC24CS01	1	

**Bearing Kit**
**CMPBK27**

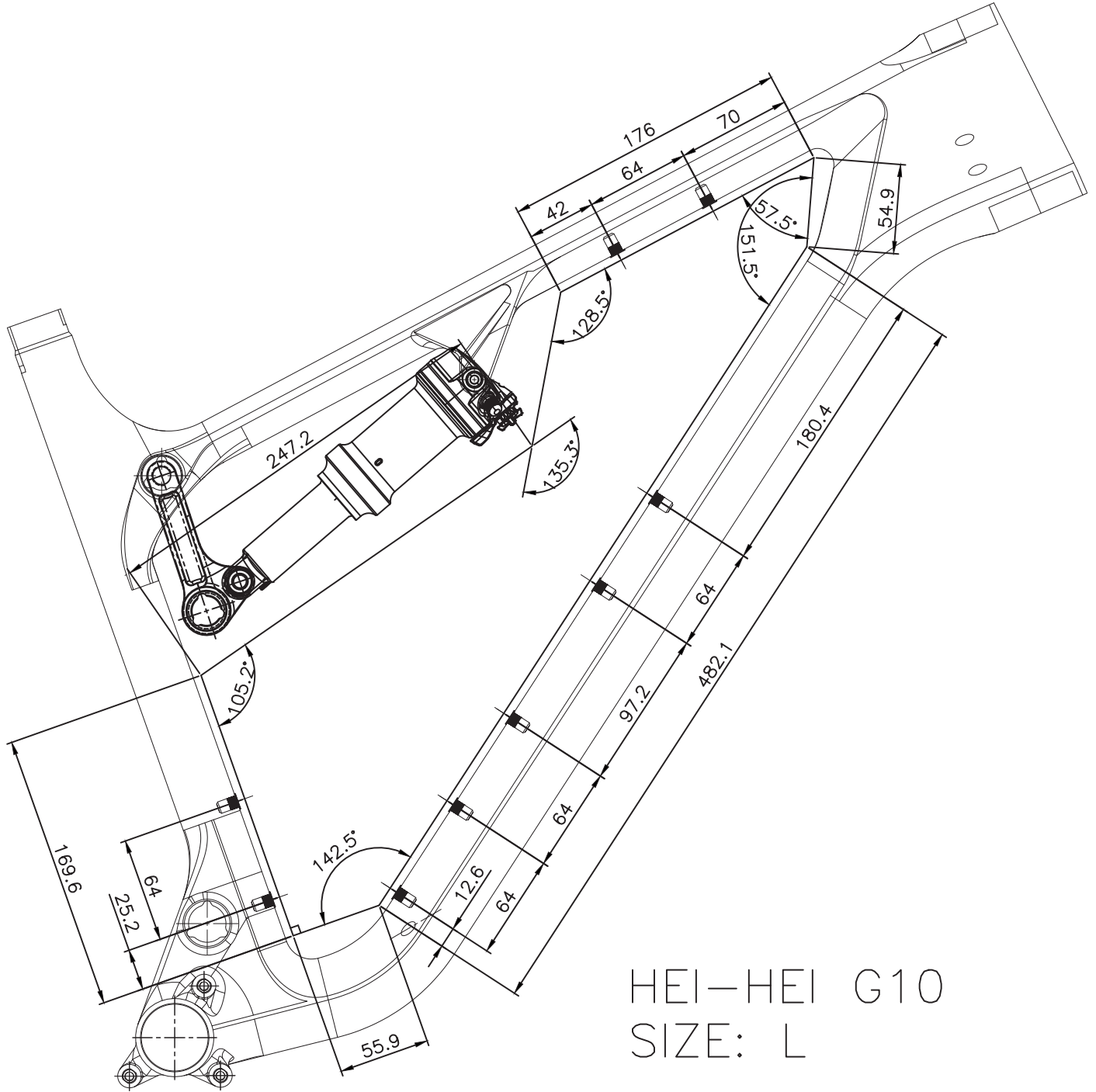
DESCRIPTION	PART NUMBER	QTY	ASSEMBLY
3 BEARING 6802 LLU Max	CMPWFB6802LLUMAX	4	
4 BEARING 6901 LLU Max	CMPWFB6901LLUMAX	4	
5 BEARING 6902 LLU Max	CMPWFB6902LLUMAX	2	



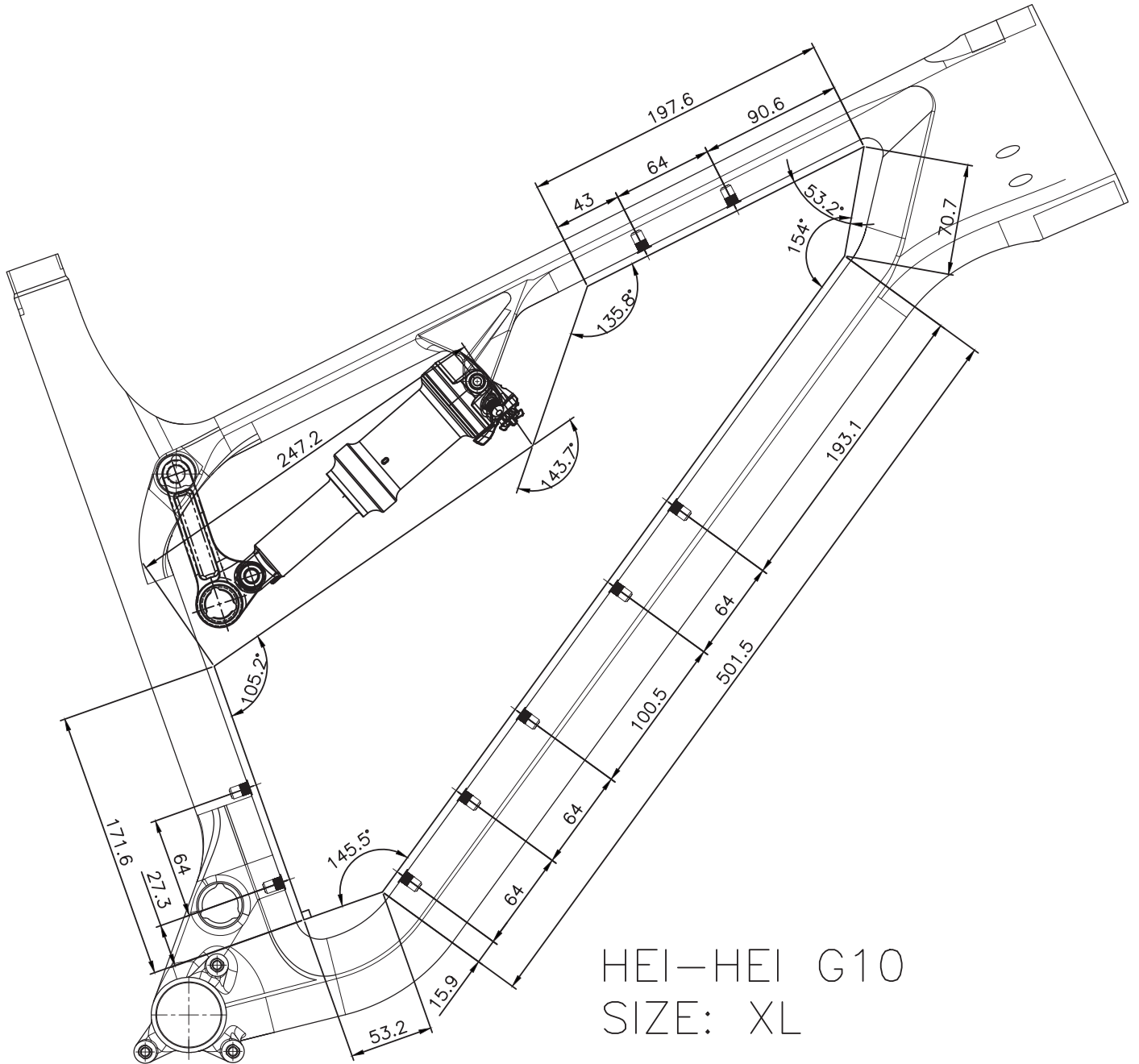
HEI-HEI G10  
SIZE: S



HEI-HEI G10  
SIZE: M



HEI-HEI G10  
SIZE: L



HEI-HEI G10  
SIZE: XL