

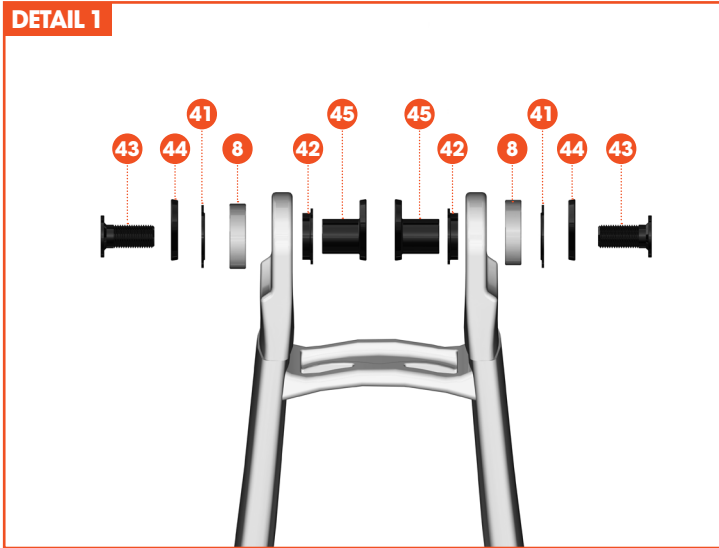
DESCRIPTION	PART NUMBER	QTY	ASSEMBLY
3 CABLE ROUTING CLAMP 3 cable	CMPWCG04H	2	
4 PIVOT HARDWARE Male M10x1.0x19L	CMPBTM03	2	12Nm
5 PIVOT HARDWARE Male M10x1.0x14.5L	CMPBTG2PR16AX	2	8Nm
6 WASHER 5.2ID 12.5OD 1.5L	CMPPHW00267	1	
7 BEARING 6900 LLU Max	CMPWFB6900LLUMAX	2	
8 BEARING 6902-2RSV	CMPWFB69022RS	6	
9 BEARING 6904 2RS	CMPWFB69042RS	2	
14 SCREW M5x0.8x16L Flathead Hex	CMPBTG2PR03	2	3Nm
17 SCREW M5x0.8x35L Flathead	CMPBTG2PR01	2	3Nm
20 PIVOT SPACER 15ID 27OD 2.0L	CMPBTG2PR09	2	
21 PIVOT HARDWARE Male M12x1.25x23L	n/a	1	
22 WASHER 5.2ID 12OD 1L	n/a	1	
25 PIVOT HARDWARE Male M5x0.8X18L	n/a	1	5Nm
29 FRAME PROTECTION Chainstay Black	n/a	1	
30 PIVOT SPACER 15.5ID 21OD 36L	n/a	1	
31 PIVOT SPACER 20.5ID 26OD 36L	n/a	1	
32 PIVOT HARDWARE Female M10x1.0x70L	CMPBTG2PR18A	1	

DESCRIPTION	PART NUMBER	QTY	ASSEMBLY
33 PIVOT HARDWARE Male M10x1.0x20L	CMPBTG2PR18B	1	12Nm
34 PIVOT HARDWARE Female M12x1.25x74L	n/a	1	
35 PIVOT HARDWARE Female M5x0.8X34.5L	CMPBTF5834	1	5Nm
41 PIVOT SPACER 15ID 27OD 1.5L	CMPBTG2PR09H	2	
42 PIVOT SPACER 15ID 24OD 4.5L	CMPBTG2PR10H	2	
43 PIVOT HARDWARE Male M10x1.0x23L	CMPBTG2PR21CX	2	12Nm
44 PIVOT SPACER 15ID 21OD 3L	CMPBTG2PR21BX	2	
45 PIVOT HARDWARE Female M10x1.0x19L	CMPBTG2PR21AX	2	
49 HANGER Rear PT2001/PT2002	CMPHPT01	1	20-25Nm
53 AXLE Rear 12x148 12D-180L-1.75P-13TL	CMPAXR01	1	11Nm
54 SEAT CLAMP Kona 34.9mm	CMPSCCL349	1	5Nm
55 CABLE ROUTING GROMMET 1 Cable	CMPWCG12H	1	
57 CABLE ROUTING CLAMP 1 Cable	CMPWCG13H	1	
58 PIVOT HARDWARE Female M10x1.0x20L	CMPBTG2PR16B	2	
59 PIVOT SPACER 15ID 24OD 3.0L	CMPBTG2PR10	2	

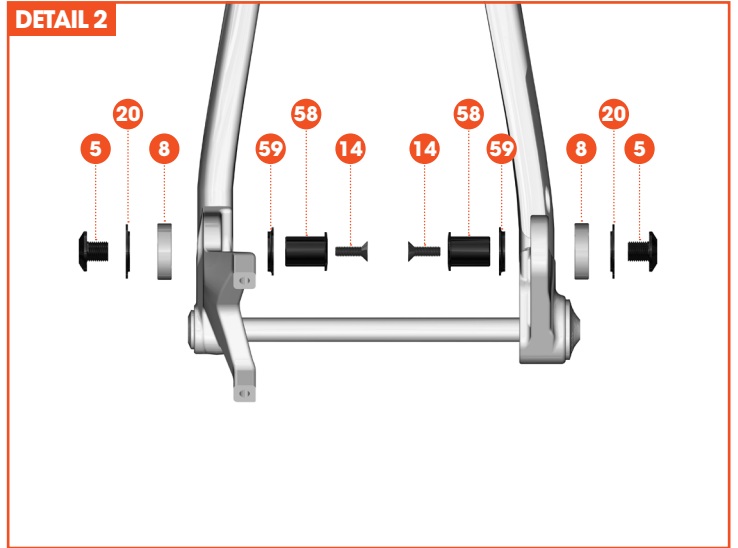
ASSEMBLE WITH GREASE

ADHESIVE BACKED

**DETAIL 1**



**DETAIL 2**



**Frequently Asked Questions**

BB-FRAME INTERFACE	PF 92
CHAINLINE - 1X	52mm
CHAINRING SIZE MAX- 1X	32T
EYE TO EYE X STROKE	165X40mm
FORK STEERER	TAPERED 1.125-1.5" / 28.6-38.1mm
HANGER	PT01
HEADTUBE ID - UPPER	44mm
HEADTUBE ID - LOWER	56mm
ISCG MOUNT	ISCG-05
REAR SHOCK- LOWER HARDWARE	20X8mm
ROTOR DIAMETER MAX	180mm
ROTOR DIAMETER MIN	160mm
SEATCLAMP INSIDE DIAMETER	34.9mm
SEATPOST DIAMETER	31.6mm
SEATPOST INSERTION MAX	185mm