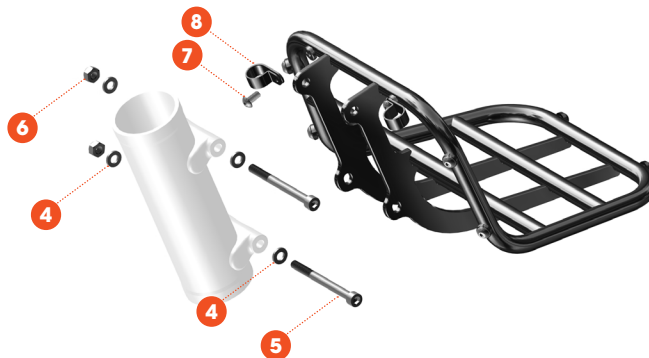
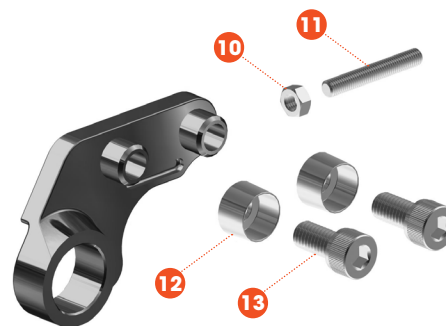


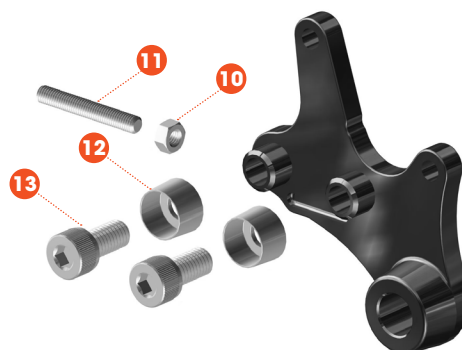
DESCRIPTION	PART NUMBER	QTY	ASSEMBLY
RACK Front Unity AL Black	CMPRKUN01		
4 WASHER ID 6mm x OD 12mm x T 1mm	CMPRKHWUN01	4	
5 SCREW M6x1.0x70mm SHCS	CMPRKHWUN01	2	
6 NUT M6 Stainless Nylock Silver	CMPRKHWUN01	2	
7 SCREW M5x0.8x10L Buttonhead Hex	n/a	8	PRE-APPLIED THREADLOCK
8 CABLE ROUTING P-Clip 13mm ID	CMPWCG077	2	



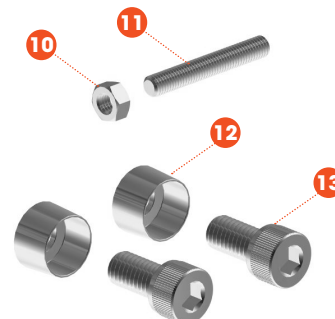
DESCRIPTION	PART NUMBER	QTY	ASSEMBLY
HANGER KIT OFS Slider Driveside UDH Black	CMPH6360074WB		
10 NUT M5x0.8mm Stainless	CMPBTCC3	1	
11 SCREW Tension M5 x 0.8mm x 35mm L	CMPBTCC3	1	
12 WASHER Chamfered For M8 Screw	CMPBTCC2	2	
13 SCREW M8 x 1.25mm x 18mm L SHCS	CMPBTCC1	2	10Nm



DESCRIPTION	PART NUMBER	QTY	ASSEMBLY
HANGER KIT OFS Slider Non-Driveside ISO Black	CMPH6360075WB		
10 NUT M5x0.8mm Stainless	CMPBTCC3	1	
11 SCREW Tension M5 x 0.8mm x 35mm L	CMPBTCC3	1	
12 WASHER Chamfered For M8 Screw	CMPBTCC2	2	
13 SCREW M8 x 1.25mm x 18mm L SHCS	CMPBTCC1	2	10Nm



DESCRIPTION	PART NUMBER	QTY	ASSEMBLY
SCREW ASSEMBLY Hanger Fixing Bolt Kit	CMPHBTCC03		
10 NUT M5x0.8mm Stainless	CMPBTCC3	1	
11 SCREW Tension M5 x 0.8mm x 35mm L	CMPBTCC3	1	
12 WASHER Chamfered For M8 Screw	CMPBTCC2	2	
13 SCREW M8 x 1.25mm x 18mm L SHCS	CMPBTCC1	2	10Nm



DESCRIPTION	PART NUMBER	QTY	ASSEMBLY
CABLE ROUTING CLAMP 2 Cable	CMPWCG076	1	
CABLE ROUTING GROMMET Blanking	CMPCG09	1	
CABLE ROUTING GROMMET 1 Cable	CMPWCG12H	1	



**Frequently Asked Questions**

AXLE SPEC	Fork 15D-134L-1.5P-12TL / Frame 12D-180L-1.0P-13TL
BB-FRAME INTERFACE	BSA 73
BRAKE MOUNT	INTERNATIONAL STANDARD
CHAINLINE - 1X	55mm
CHAINLINE - 2X/3X	n/a
CHAINRING SIZE MAX- 1X	36t
CHAINRING SIZE MAX- 2X/3X	n/a
DROPOUT SPACING	12X148
FORK STEERER	STRAIGHT 1.125" / 28.6mm
FRONT DERAILLEUR HANGER SPEC	n/a
FRONT DERAILLEUR MOUNT	n/a
HEADTUBE ID - UPPER	44mm
HEADTUBE ID - LOWER	44mm
ISCG MOUNT	NONE
RD HANGER SPEC	UDH/T-TYPE
ROTOR DIAMETER MAX	FORK 203mm / FRAME 203mm
ROTOR DIAMETER MIN	FORK 160mm / FRAME 160mm
SEATCLAMP SPEC	34.9mm
SEATPOST DIAMETER	31.6mm
SEATPOST INSERTION MAX	S 220mm / M 270mm / L 255mm / XL 315mm
SUSPENSION MAX- FORK	n/a
SUSPENSION MAX- FRAME	n/a
TIRE SIZE MAX- FORK	29x3.25"
TIRE SIZE MAX- FRAME	27.5x3.0" or 29x2.6"

**LOADING THE FRONT RACK**

- Keep the load lower than the rotation of the handlebar assembly.
- Strap everything down tightly and securely.
- Utilize water bottle mounting bases (like the Wolf Tooth B-RAD 2) to lower water bottles.
- Consider shorter-height water bottles to improve clearance.
- Double-check that all mounting hardware is properly secured.
- Turn the bars fully side to side to check handlebar and tire clearances before riding.

**FRAMEBAG**

- We've provided inner framebag dimensions for all frame sizes so you can choose your preferred bag maker.
- Due to the larger-than-normal main triangle space, we recommend a bag with internally adjustable width or fixed width to prevent excessive side bulging (which can interfere with legs or cranks).
- The Unity frame easily accommodates bolt-on style bags for a clean look, as well as standard Velcro-strap style bags.
- Framebags can wear away paint over time. We recommend using frame protection on any contact points ("hot spots").

**SUSPENSION FORKS**

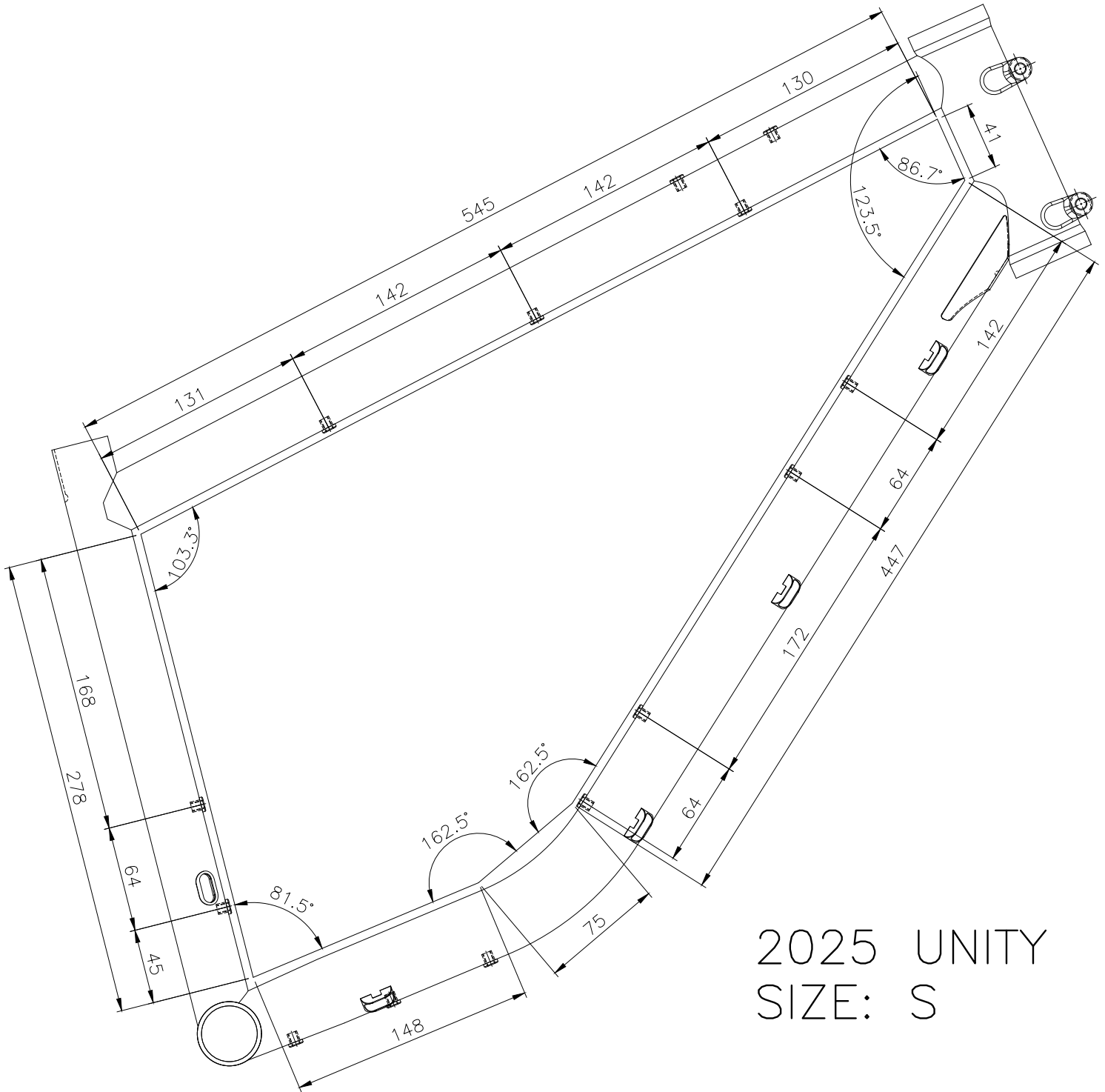
- No. Just no.  
The front tire will contact the downtube and front rack.

**DROPPER SEATPOSTS WITH SEATBAGS**

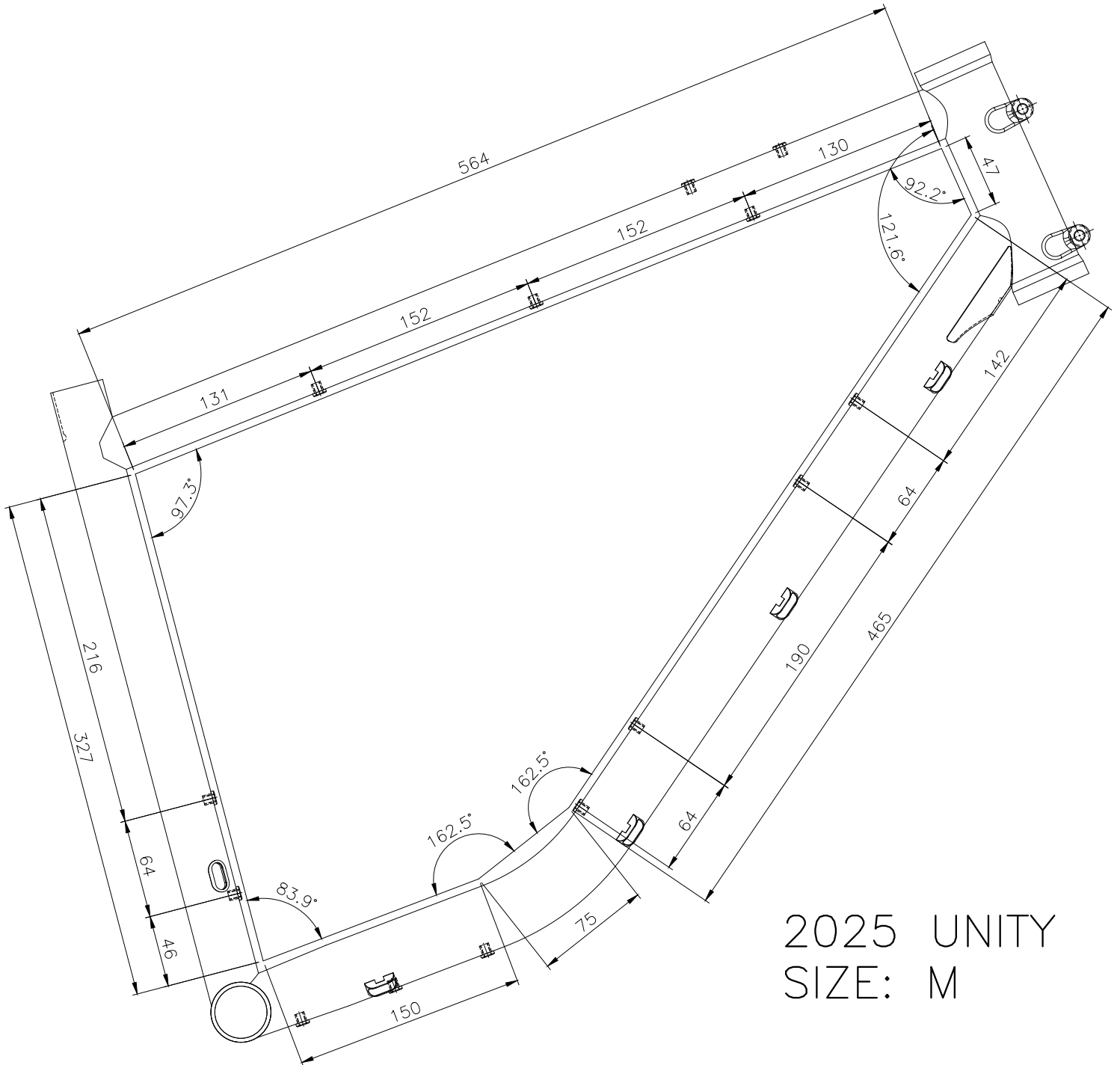
- Yes — go for it.
- We recommend using a protective collar on the stanchion (like the Wolf Tooth Valais) to attach the Velcro seatbag strap.  
**Note:** This reduces total dropper travel.
- Consider your total dropper travel and seatbag volume to ensure it doesn't interfere with the rear tire. Not all combinations will work.
- Test-drop your seatpost to confirm there is adequate bag-to-tire clearance before riding.

**REAR RACKS**

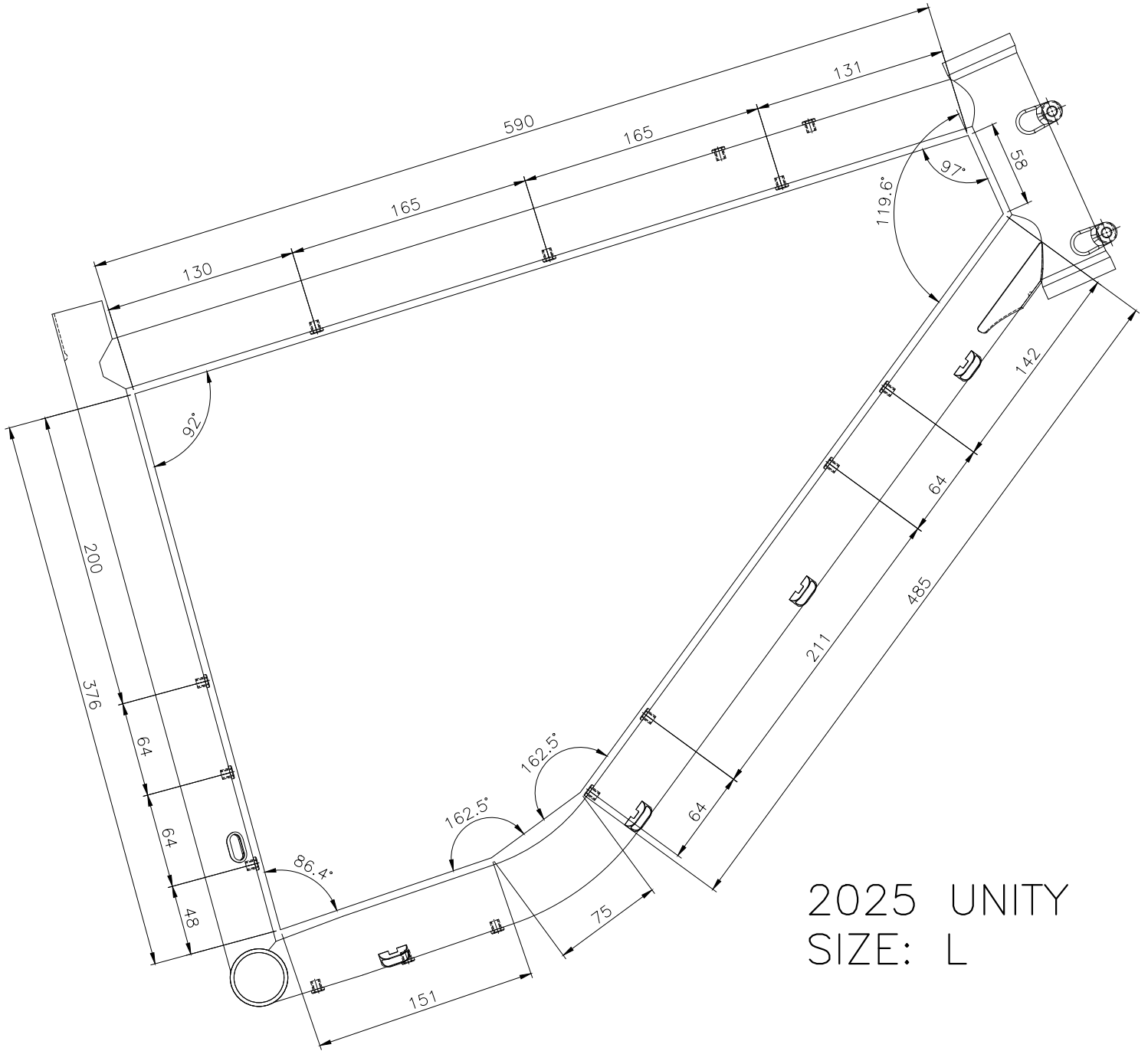
- Fits standard, mini, and T-style bike racks.



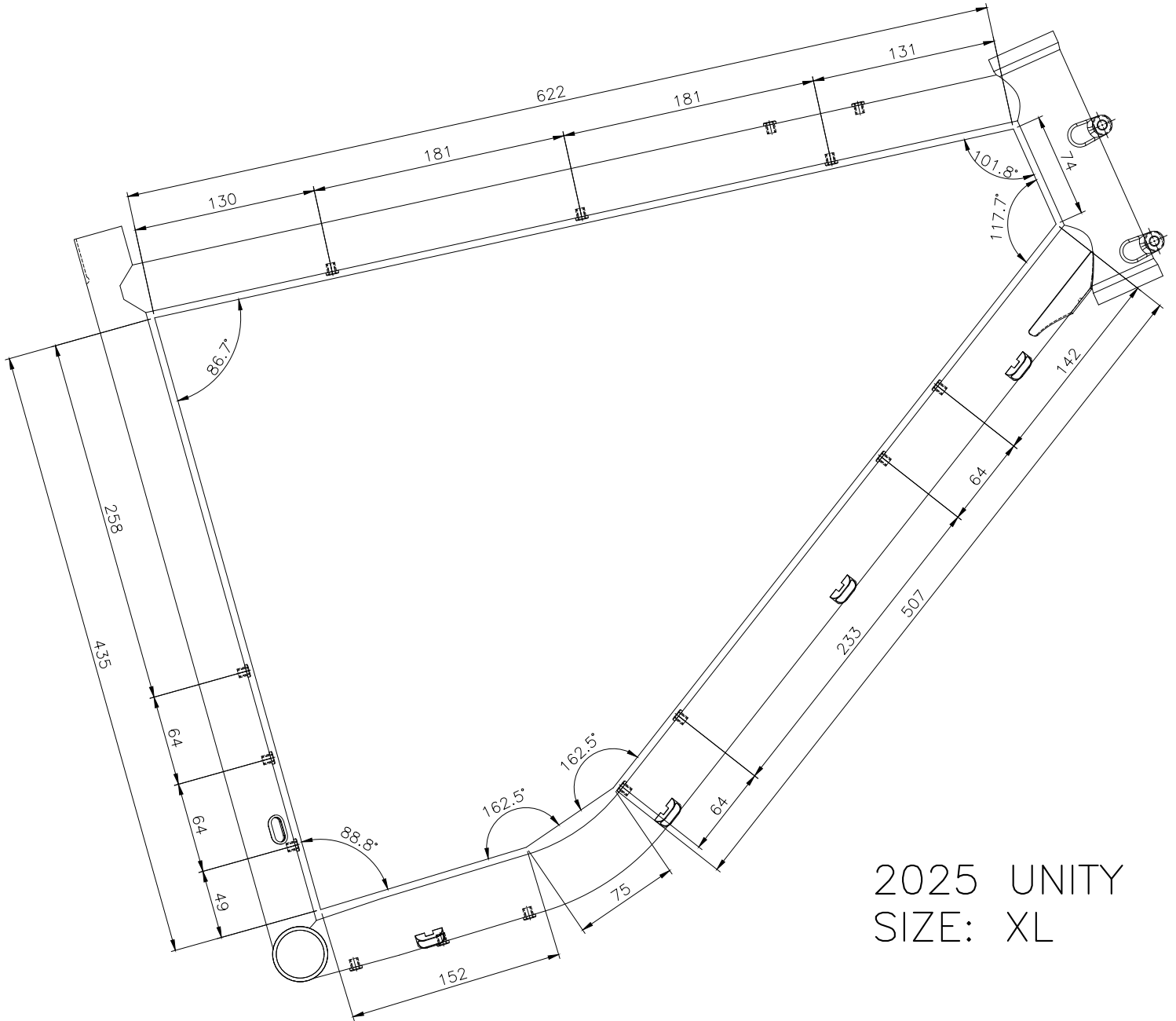
2025 UNITY  
SIZE: S



2025 UNITY  
SIZE: M



2025 UNITY  
SIZE: L



2025 UNITY  
SIZE: XL